

# **SPECIFICATION**

**NL09-CHK-W03**

**A multifaceted and spherical convex lens used for  
passive infrared detection**

**Chartland Electronics Ltd**

Chartland Lodge, Leatherhead Road, Bookham, Surrey, KT23 4RR

Tel/Fax: +44 (0)1372-459236

Email: [sales@chartlandelectronics.co.uk](mailto:sales@chartlandelectronics.co.uk). Website: [www.chartlandelectronics.co.uk](http://www.chartlandelectronics.co.uk)

Drawing: 1504091B

Date: 15/04/09

**Material:**

- High density Polyethylene (HDPE)

**Optical Characteristics:**

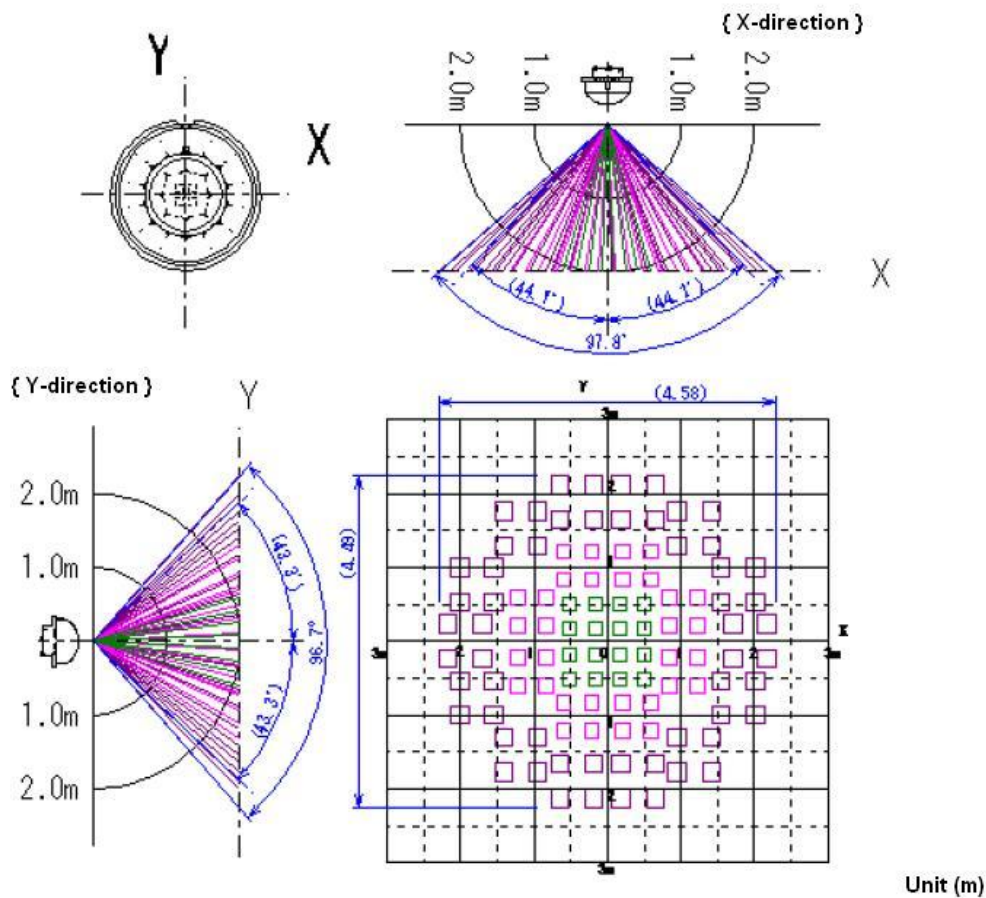
- Number of Zones : 26 Zones

**Environmental Characteristics:**

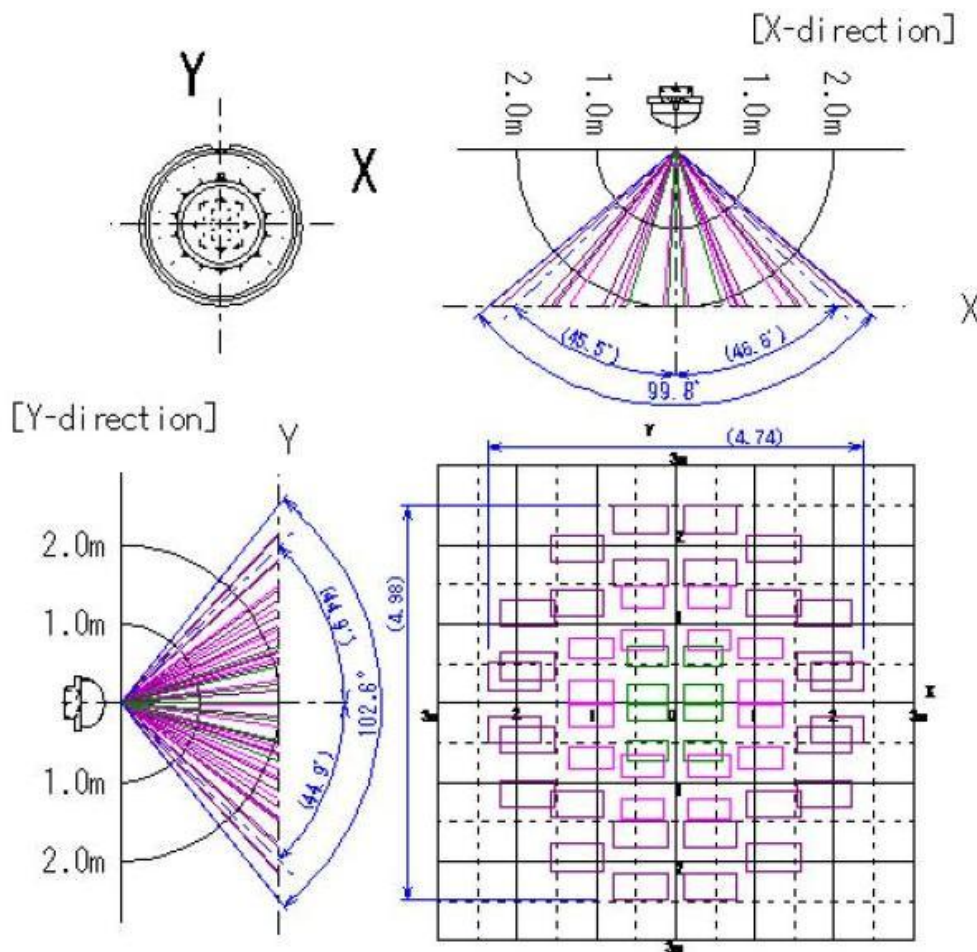
- Operating Temperature : -20°C ~ +70°C
- Storage Temperature : -25°C ~ +75°C

\*Please avoid using the lens in direct sunlight as it may degrade plastic and affect performance.

**Detection Area:**



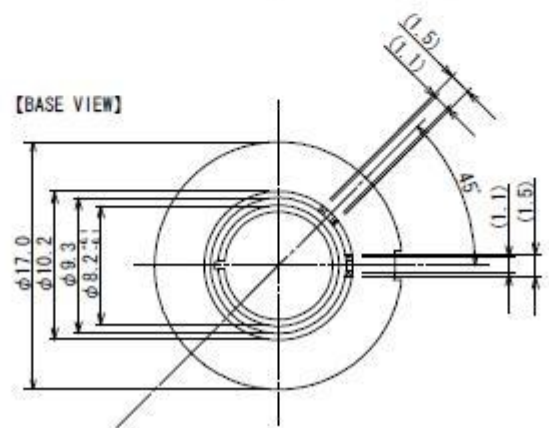
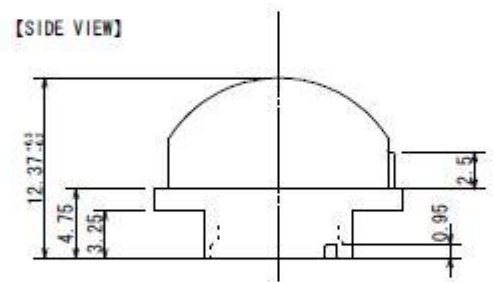
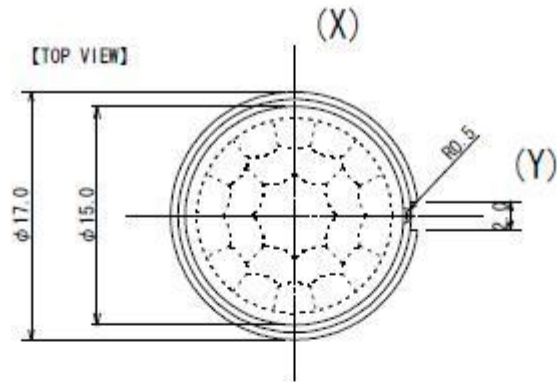
- Sensor : Pyro-electric Infrared Sensor, one output with four elements
- Element Size : 0.75mm (X) x 0.75mm (Y) x Gap 0.7mm



Unit (m)

- Sensor : Pyro-electric Infrared Sensor, dual element type
- Element Size : 2.0mm (X) x 1.0mm (Y) x Gap 1.0mm

**Dimensions:**



Unit [ mm ]

*The data is subject to change without notice.*